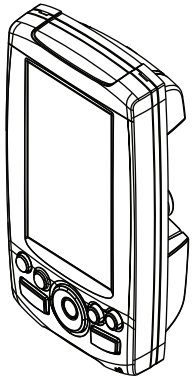
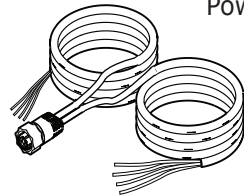


Supplied parts

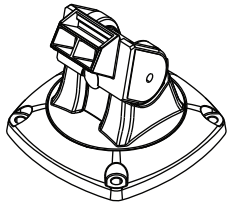
Common kit parts



Elite-4 HDI/
Mark-4 HDI

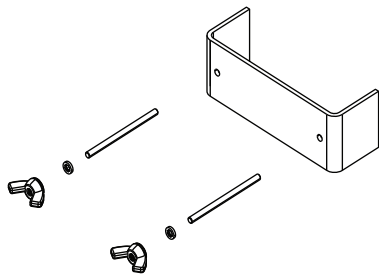


Power cable



Quick release bracket

Optional flush mount kit sold separately
(000-11308-001)



For technical specifications,
refer to the Operator manual
or to product web site on:



lowrance.com

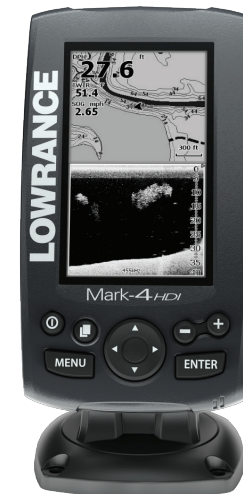
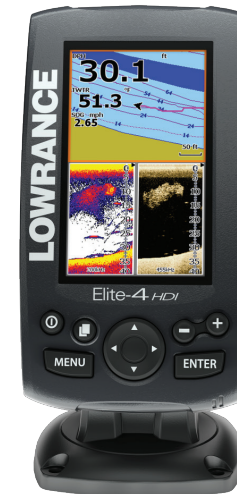


LOWRANCE

Elite-4 HDI

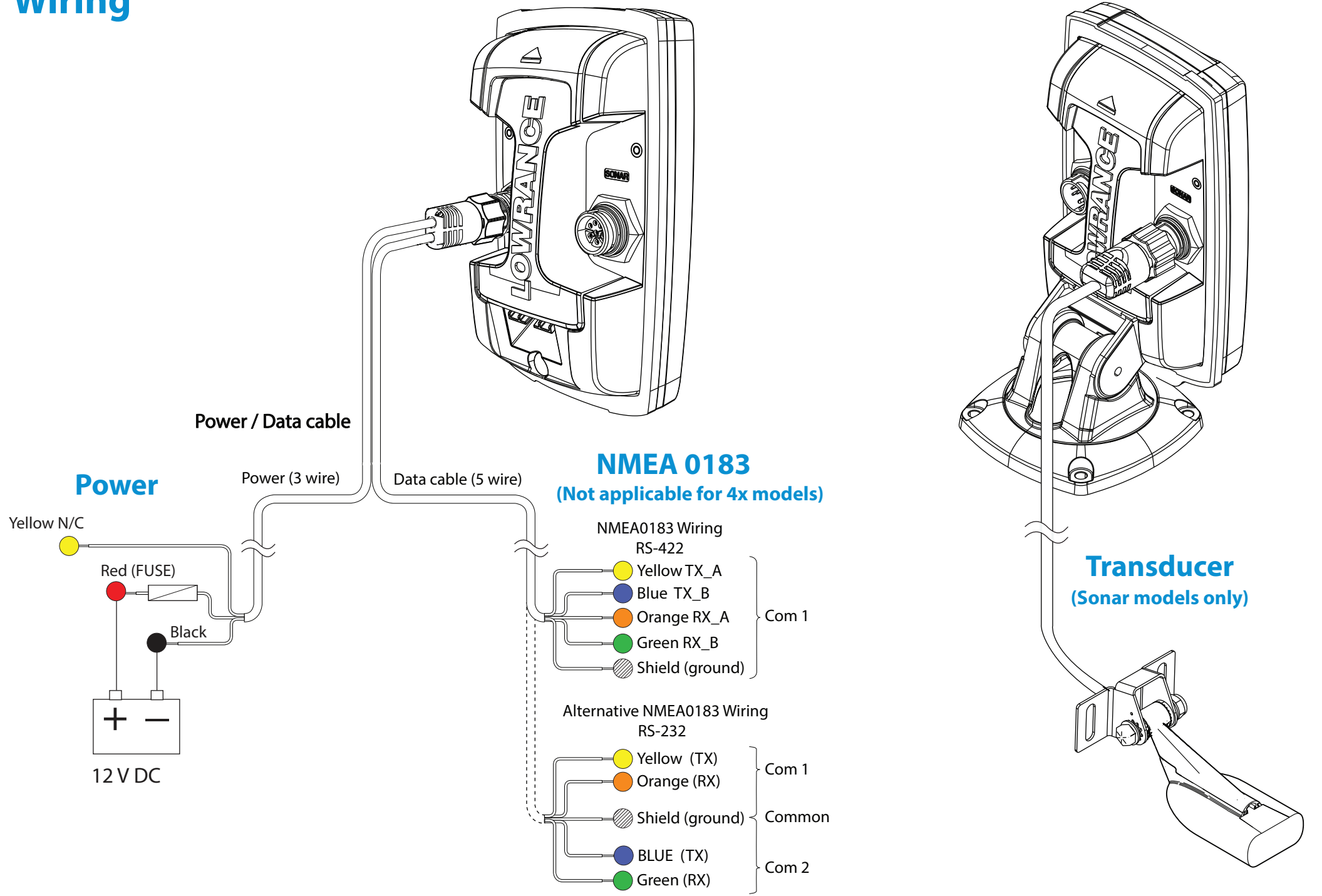
Mark-4 HDI
(all models)

Installation Guide

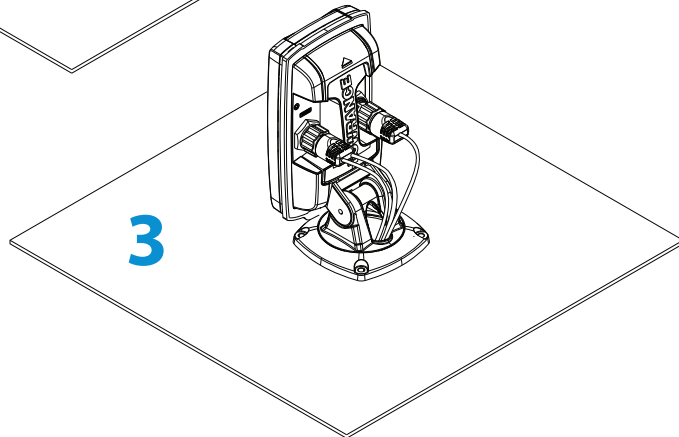
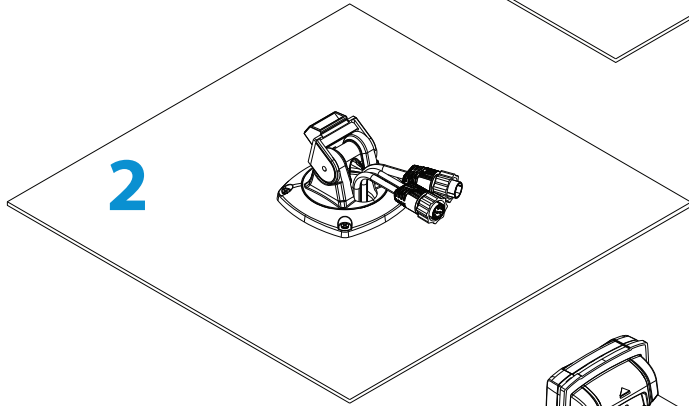
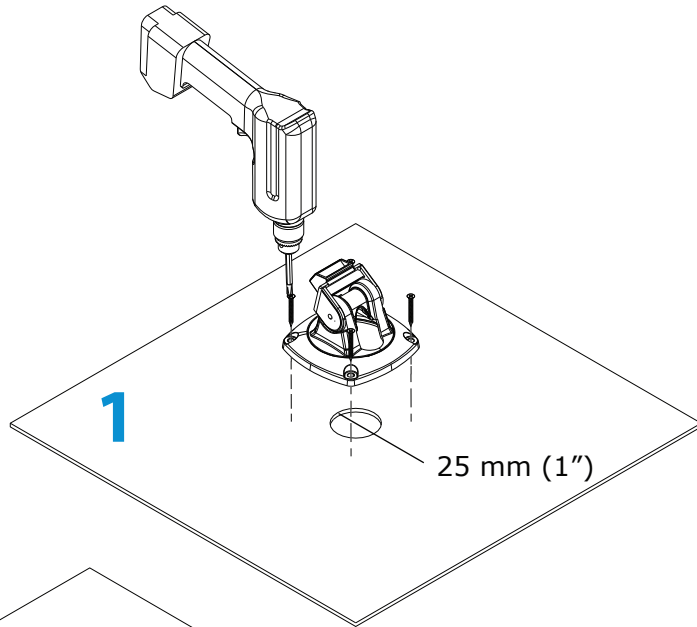


lowrance.com

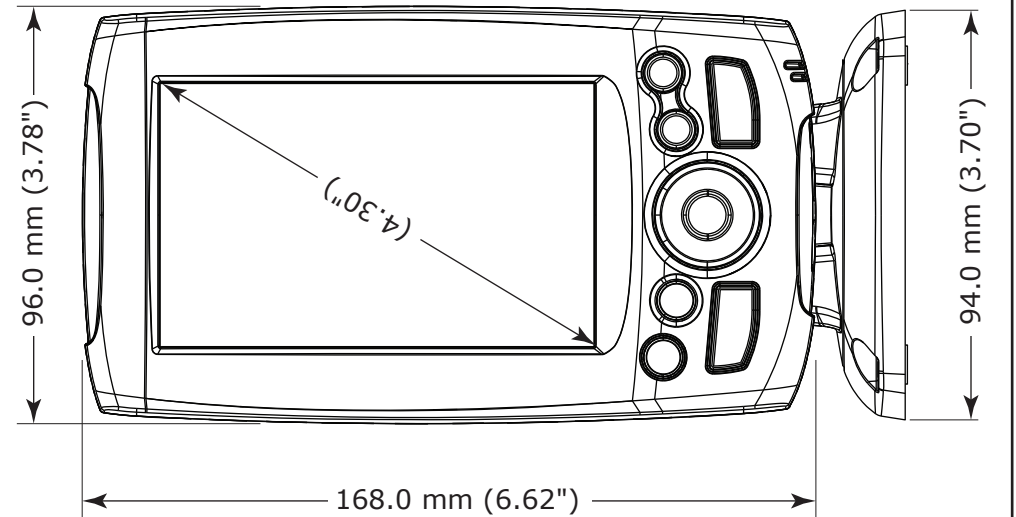
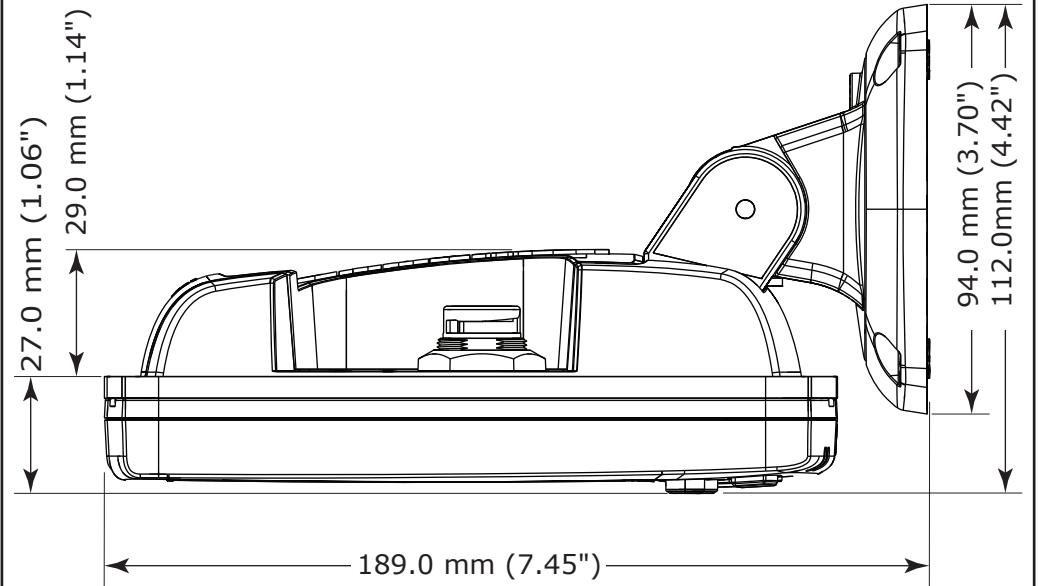
Wiring



Bracket Mount



Dimensions



Flush Mount

